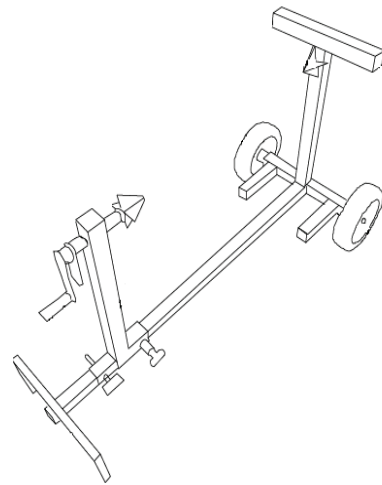


**IToolCo.**

# ROPE TENDER

Model# (RT01)

## Specifications



### EASIER

Easy to set up and transport

Light and maneuverable - 38 lbs.

Easy for one person to spool and unspool rope

Horizontal or vertical use

### FASTER

Saves time

Handle for faster spooling

### SAFER

Prevents injuries from lifting and handling rope

Prevents injuries from carrying heavy spools

### SMARTER

Axle- less technology

Multi-directional

Fits any size spool up to 32" dia.

300 lb. weight limit

### Specifications:

Length, handle compacted, 49", handle extended 60"

Width, 23"

Weight, 38 lbs.

Spool widths, 12"-35"

Spool diameters, 12"-32"

**connexion**

Electrical and Energy Business Solutions

[www.connexionES.com](http://www.connexionES.com)

P 847-499-8300 | F 847-499-8301